

Model 121 Series “Filter Minder”

Piston Type Differential Pressure Indicating Switch or Transmitter



2 ½” Dial – Front View



4 ½” Dial – Back View

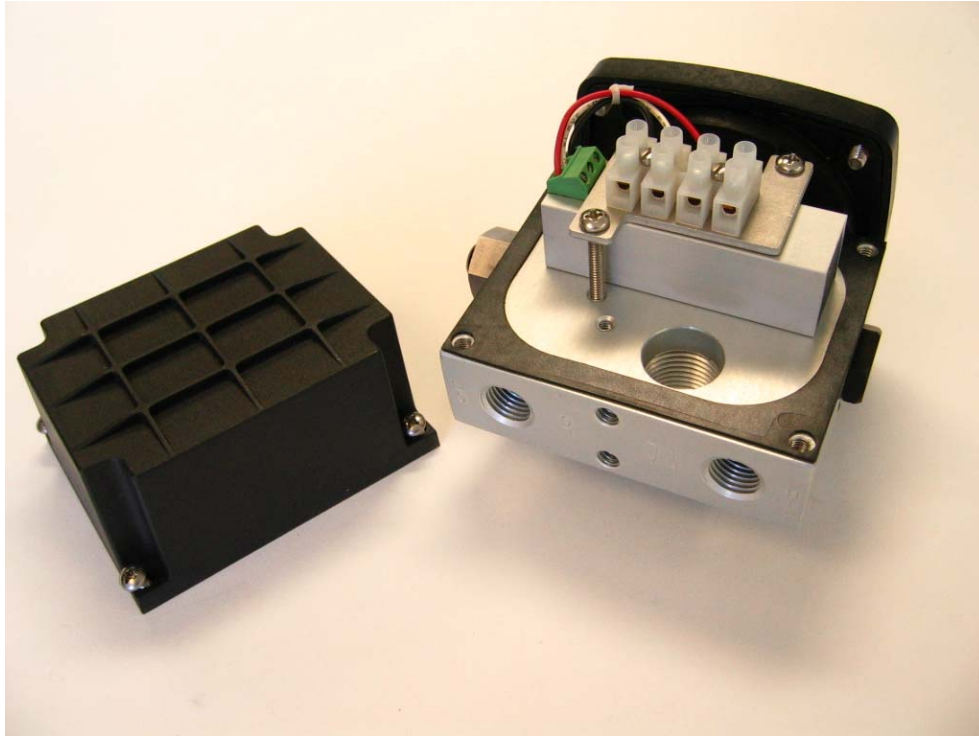
Typical Switch Arrangement

Medium Range: 0-5 P.S.I.D. to 0-110 P.S.I.D. (0.35 to 7.0 bar)

A low cost differential pressure indicating switch or transmitter for use in measuring the pressure drop across filters, strainers, separators, valves, pumps, chillers etc., and for local flow indication and control.

- ½ NPT conduit connection with heavy duty switch/transmitter cover and terminal strip
- Choice of one or two magnetically actuated hermetically sealed reed switches to provide high and low limit alarm or control or 4-20mA transmitter.
- Simple, rugged, compact design.
- Working pressure 6000 P.S.I.G. (400 bar)
Models 121-A and 121-S.
- Over-range protection to maximum pressure.
- Aluminum or 316 stainless steel gauge body with 316 stainless steel internals.
- Weather resistant construction standard
- Gauge accuracy $\pm 2\%$ full scale (ascending)*. Transmitter accuracy $\pm 2\%$ full scale (from 20% to 100% of scale, ascending)
- Shatter resistant lens.
- 2 ½” and 4 ½” plastic dial assemblies.
- Five Year Limited Warranty. (One Year Limited Warranty on Transmitter)

*ASME B40.100 Grade B



Typical Transmitter Arrangement- 2 1/2" Dial Back View

Model 121 Indicating Switch(es) or 4-20mA Transmitter SPECIFICATIONS

TRANSMITTER

Features: Microprocessor based, external zero interface
8-28 Vdc loop powered, 2 wire interface

Electrical

Accuracy ±2% (from 20% to 100% of scale, ascending)
Supply Voltage 8-28 Vdc
Output 4-20mA
Max Loop Resistance 1000 Ohms

Interface

4 position terminal strip for 16-22 Awg wire, (Pin 1 – return, Pin 2 = zero, Pin 3 = 8-28 Vdc, Pin 4 – chassis (1/2" NPT conduit connection))

Environmental

Weatherproof

Rating

(NEMA 4X, IP65)

SWITCHES

Features: One or two hermetically sealed reed switches

Electrical

Switch rating and adjustability

0-3W, .25 Amp
125 VAC (15-95% F.S.)
60W, 3.0 Amp
240 VAC (20-95% F.S.)

Interface

7 position terminal strip for 16-22 Awg wire
1/2 " NPT conduit connection

Environmental

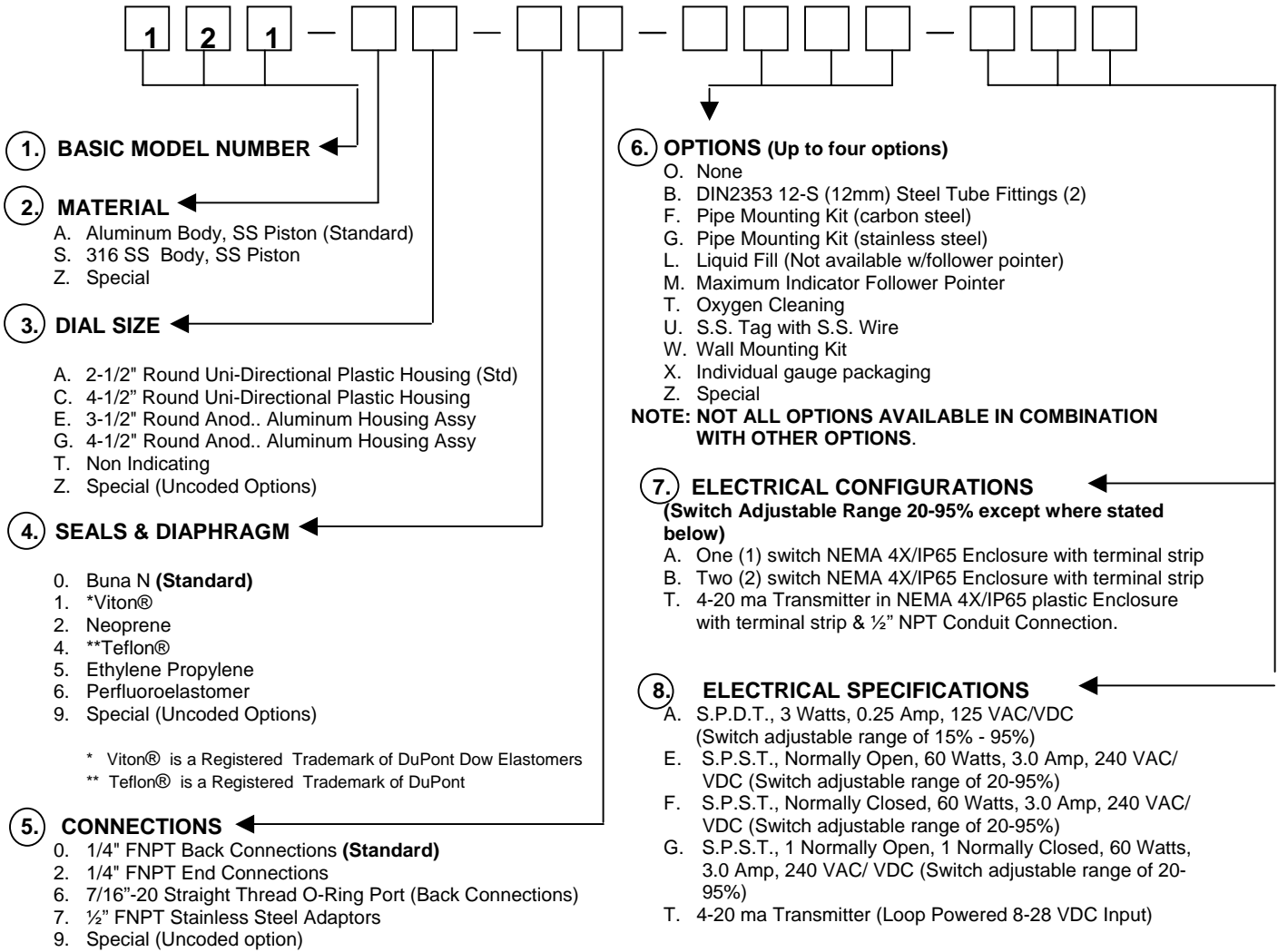
Weatherproof

Rating

(NEMA 4X, IP65)

Standard Model Specifications 121-AA-00-O(AA)

6000 P.S.I.G. Working Pressure Aluminum Body, Stainless Steel Piston, Ceramic Magnets, Buna N Seals, 2 1/2" Engineering Plastic Case with shatter-resistant Lens. 1/4" FNPT Back Connections. Accuracy ± Full Scale (Ascending)

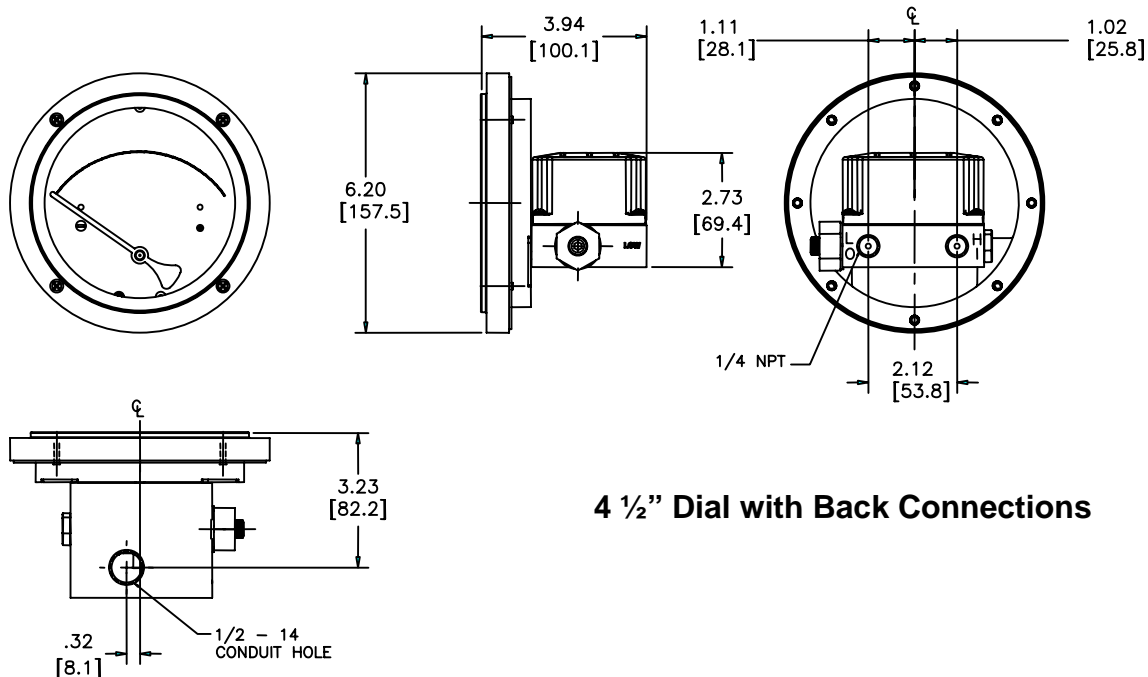


For Applications requiring Diaphragm isolation see Bulletins:

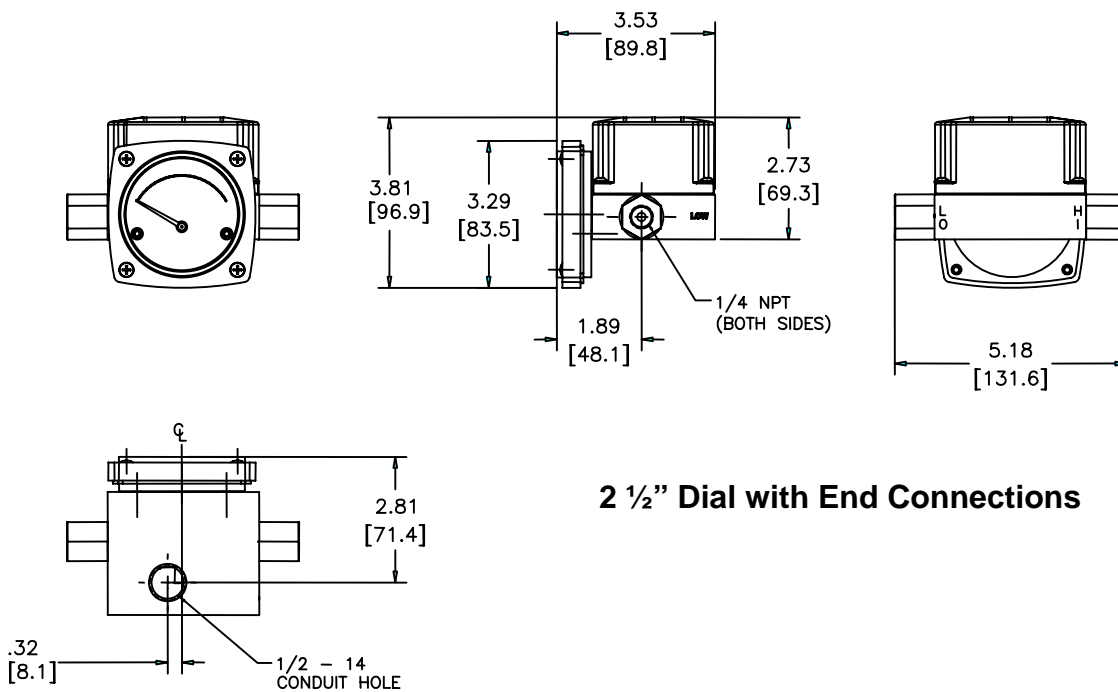
- Bulletin No. 140-141/01
- Bulletin No. 142/05
- Bulletin No. 140/142T/06



142 – 2 1/2" Dial Transmitter – Back View



4 1/2" Dial with Back Connections



2 1/2" Dial with End Connections

Mid-West® Instrument

6500 Dobry Dr., Sterling Heights, MI 48314

(586) 254-6500 Fax: (586) 254-6509

Email: sales@midwestinstrument.com

Website: www.midwestinstrument.com