

NEW!**Specifications:**

35 flow ranges in 6 tube sizes with full horizontal and vertical connection options make these flowmeters the most versatile removable glass tube meters available. The powder-coated 304 stainless steel case and precision molded polycarbonate shield will tolerate most corrosive applications.

Description**Metering Tube**

Borosilicate Glass

Internal Components

Standard: 316L Stainless Steel

Optional: Hastelloy® C-276

Inlet/Outlet Fittings

FNPT or Flange, Vertical or Horizontal

Fitting Material

Standard: 316L Stainless Steel

Optional: PVDF (FNPT Only)

Elastomers

Standard: Viton®

Optional: Buna N, EPR, and Kalrez®

Case

Powder Coated 304 Stainless Steel

Cover

Molded Polycarbonate Shield

Options**Alarm**

Latching reed switch

Valve

External Valve - 316L SS

(Size 3 to Size 6 FNPT only)

Certified Calibrations

Conform to ISA RP 16.6

Scales

Can be produced in any volumetric unit.



SILVER SERIES

Performance**Capacities**

0.27 to 85 GPM - Water

1.15 to 288 SCFM - Air

Scale

Size 3 to 6 = 250 mm (10")

Size 8 to 9 = 200 mm (8")

Direct reading, detachable (Dual scales available upon request)

Accuracy

± 2% of Full Scale Flow

Turndown

10:1 unless otherwise indicated

Repeatability

1/2%

Max Temperature

316L SS Fittings — 200°F (93°C)

PVDF Fittings — 200°F (93°C)

Max Pressure

316L SS Fittings — 300 psig, size 3 & 4

316L SS Fittings — 250 psig, size 5 & 6

316L SS Fittings — 150 psig, size 8 & 9

PVDF Fittings — 150 psig, All Sizes

Ambient Temperature

33°F to 125°F (1°C to 52°C)

Float Types:**GS**

Semi Viscosity
Compensation

GV

Maximum Viscosity
Compensation

LJ

Minimal Viscosity
Compensation

BL

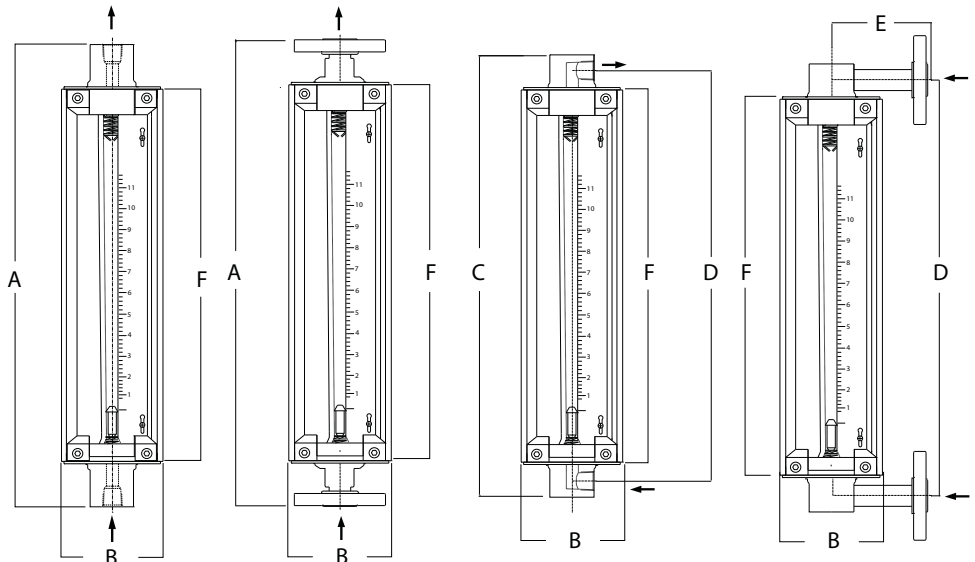
No Viscosity
Compensation

Silver Series

Glass Tube

Specifications:

Order Number	Full Scale Flow GPM - Water	Order Number	Full Scale Flow SCFM - Air	Float Number	Float Type	Alarm Option	Press. Drop In W.C.	Dimensions (Inches)						Connection Size	
								A	B	C	D	E	F	FNPT	Flange
31W	0.27	31A	1.15	3-BLG-01	BL	No	4	19.7"	4.13"	18.86"	17.5"	3.94"	16.1"	1/2"	1/2"
32W	0.49	32A	2.10	3-BLG02	BL	No	4	19.7"	4.13"	18.86"	17.5"	3.94"	16.1"	1/2"	1/2"
33W	.64	33A	2.64	3-HFG-01	HF	No	4	19.7"	4.13"	18.86"	17.5"	3.94"	16.1"	1/2"	1/2"
34W	.77	34A	3.20	3-LJG-01	LJ	No	4	19.7"	4.13"	18.86"	17.5"	3.94"	16.1"	1/2"	1/2"
41W	1.1	41A	4.20	4-GVG-01	GV	No	6	19.7"	4.13"	18.86"	17.5"	3.94"	16.1"	1/2"	1/2"
42W	1.3	42A	5.50	4-GSG-01	GS	No	6	19.7"	4.13"	18.86"	17.5"	3.94"	16.1"	1/2"	1/2"
43W	1.5	43A	6.20	4-GVG-02	GV	No	8	19.7"	4.13"	18.86"	17.5"	3.94"	16.1"	1/2"	1/2"
44W	1.8	44A	7.60	4-GSG-02	GS	No	9	19.7"	4.13"	18.86"	17.5"	3.94"	16.1"	1/2"	1/2"
45W	2.2	45A	9.00	4-GSG-03	GS	No	15	19.7"	4.13"	18.86"	17.5"	3.94"	16.1"	1/2"	1/2"
46W	2.5	46A	10.2	4-GSG-03	GS	No	19	19.7"	4.13"	18.86"	17.5"	3.94"	16.1"	1/2"	1/2"
47W	3.4	47A	14.0	4-GSG-04	GS	No	27	19.7"	4.13"	18.86"	17.5"	3.94"	16.1"	1/2"	1/2"
51W	2.5	51A	10.0	5-GVG-01	GV	No	6	19.7"	4.13"	18.86"	17.5"	4.72"	16.1"	3/4"	1"
52W	3.0	52A	12.0	5-GSG-01	GS	No	6	19.7"	4.13"	18.86"	17.5"	4.72"	16.1"	3/4"	1"
53W	3.5	53A	14.4	5-GSG-02	GS	No	10	19.7"	4.13"	18.86"	17.5"	4.72"	16.1"	3/4"	1"
54W	4.0	54A	16.4	5-GVG-02	GV	No	15	19.7"	4.13"	18.86"	17.5"	4.72"	16.1"	3/4"	1"
55W	5.0	55A	20.0	5-LJG-01	LJ	No	41	19.7"	4.13"	18.86"	17.5"	4.72"	16.1"	3/4"	1"
61W	6.5	61A	26.8	6-GSG-01	GS	No	13	19.7"	4.13"	18.86"	17.5"	4.72"	16.1"	3/4"	1"
62W	7.0	62A	28.8	6-GVG-01	GV	No	20	19.7"	4.13"	18.86"	17.5"	4.72"	16.1"	3/4"	1"
63W	8.2	63A	34.0	6-GSG-02	GS	No	27	19.7"	4.13"	18.86"	17.5"	4.72"	16.1"	3/4"	1"
64W	10.5	64A	44.0	6-GVG-02	GV	No	30	19.7"	4.13"	18.86"	17.5"	4.72"	16.1"	3/4"	1"
65W	13.0	65A	54.0	6-GSG-03	GS	No	32	19.7"	4.13"	18.86"	17.5"	4.72"	16.1"	3/4"	1"
66W	16.0	66A	66.0	6-GVG-03	GV	No	48	19.7"	4.13"	18.86"	17.5"	4.72"	16.1"	3/4"	1"
67W	20.0	67A	82.0	6-HFG-01	HF	No	97	19.7"	4.13"	18.86"	17.5"	4.72"	16.1"	3/4"	1"
81W	15.0	81A	61.0	8-GVG-01	GV	No	8	19.7"	5.75"	23.26"	20.5"	5.12"	16.3"	1 1/2"	1 1/2"
82W	20.0	82A	82.0	8-GVG-02	GV	No	13	19.7"	5.75"	23.26"	20.5"	5.12"	16.3"	1 1/2"	1 1/2"
83W	25.0	83A	103.0	8-GVG-03	GV	No	22	19.7"	5.75"	23.26"	20.5"	5.12"	16.3"	1 1/2"	1 1/2"
84W	28.0	84A	122.0	8-GSG-01	GS	No	30	19.7"	5.75"	23.26"	20.5"	5.12"	16.3"	1 1/2"	1 1/2"
85W	32.0	85A	145.0	8-GSG-02	GS	No	24	19.7"	5.75"	23.26"	20.5"	5.12"	16.3"	1 1/2"	1 1/2"
86W	36.0	86A	155.0	8-HFG-01	HF	No	43	19.7"	5.75"	23.26"	20.5"	5.12"	16.3"	1 1/2"	1 1/2"
91W	41.0	91A	165.0	9-GVG-01	GV	No	28	19.7"	5.75"	23.26"	20.5"	5.12"	16.3"	1 1/2"	1 1/2"
92W	50.0	92A	195.0	9-GVG-02	GV	No	44	19.7"	5.75"	23.26"	20.5"	5.12"	16.3"	1 1/2"	1 1/2"
93W	60.0	93A	245.0	9-GSG-01	GS	No	36	19.7"	5.75"	23.26"	20.5"	5.12"	16.3"	1 1/2"	1 1/2"
94W	70.0	94A	285.0	9-HFG-01	HF	No	62	19.7"	5.75"	23.26"	20.5"	5.12"	16.3"	1 1/2"	1 1/2"
95W	85.0	---	---	9-LJG-01	LJ	No	88	19.7"	5.75"	23.26"	20.5"	5.12"	16.3"	1 1/2"	1 1/2"



Ordering:

Use the following guide to determine the specific product number you require.

9	0	0						
Meter Series	Fitting Type/Material	Float Material	O-Ring Material	Order Number	Alarm Option	Valve Option		
	Vertical FNPT - 316L SS - 1	316L SS - 2	EPR - 1	See Specifications	Check Specifications	Without Valve - 0		
	Horizontal FNPT - 316L SS - 2	Hastelloy® C-276 - 4	Buna-N - 2	Table	Table For Availability	Inlet Valve - 1		
	Vertical Flange - 316L SS - 150# - 3		Viton® - 3		Without Alarm - 0	Outlet Valve - 2		
	Horizontal Flange - 316L SS - 150# - 4		Kalrez® - 4		With Alarm - 1			
	Vertical Flange - 316L SS - 300# - 5							
	Horizontal Flange - 316L SS - 300# - 6							
	Vertical FNPT - PVDF - 7							
	Horizontal FNPT - PVDF - 8							